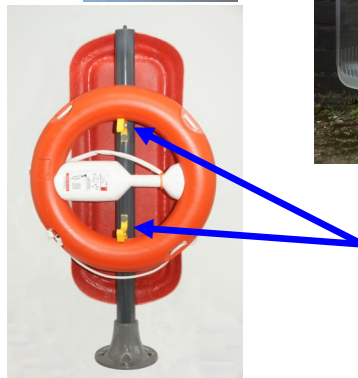
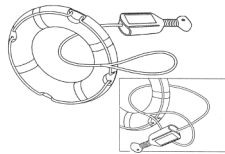
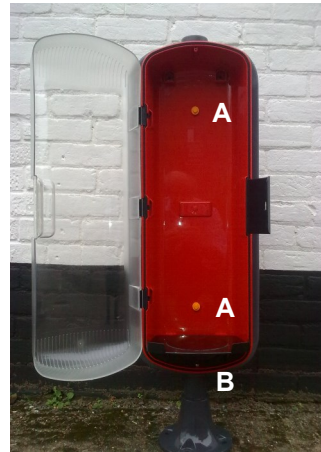
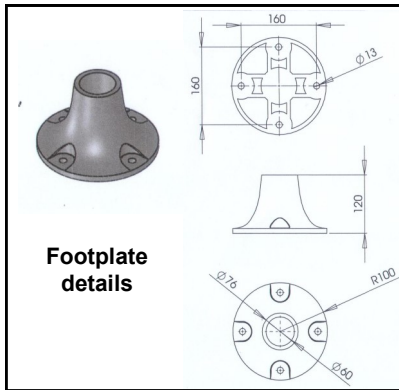


Marina Safety Station Installation Instructions



Installing the Pole

1. Ensure the ground is level
2. **Embedded Legs** should be sunk to a depth of 450mm and secured in position with a suitable cement compound or other appropriate method
3. **Legs with footplates** Drill 4 holes using the foot as a template. Insert ground mounting bolts (not supplied) or equivalent with washers to secure the foot to the ground
4. Ensure the pole cap is in position and check the foot is level and the pole is vertical

Reversing the Cabinet Door

1. The cabinet may be mounted either way up, depending on which way it is required to open the door. Cabinets provided ready mounted may be reversed if required.
2. To release the cabinet from the pole remove the screw caps and undo the two stich screws (A)
3. To remove the shelf undo the self-tapping screw (B)
4. Reverse the cabinet and re-secure. Re-locate the shelf and secure

Fixing Lifebuoy Grips

1. The lifebuoy grips are suitable for large (30" / 760mm) or small (24" / 600mm) lifebuoys. The longer edge of the grip is used to hold larger lifebuoys and the shorter edge for small lifebuoys
2. Two grips are used for each lifebuoy, arranged so that they tightly hold the inside edge (as shown by the blue arrows in the photograph above).
3. The distance between the grips is determined by using the lifebuoy as a template

Installing the Rescue Line

1. To fit the Rescue Line pass the large loop of the line through the centre of the lifebuoy and around its body, but under the lifebuoy grabline. Pass the Rescue Line case through the loop
2. Pull tight and ensure the protective sleeve covers the exposed line. Any slack should be threaded back in to the case, and the foam pad positioned at the top of the case
3. Locate the lifebuoy in the grips with the Rescue Line case positioned horizontally, as shown

Address:
15 Moor Road
Broadstone
Dorset BH18 8AZ

Telephone:
+44 (0)1202 657814
Facsimile:
+44 (0)1202 693005

Email:
info@icbrindle.com
Websites:
icbrindle.com
rescueandrecovery.co.uk